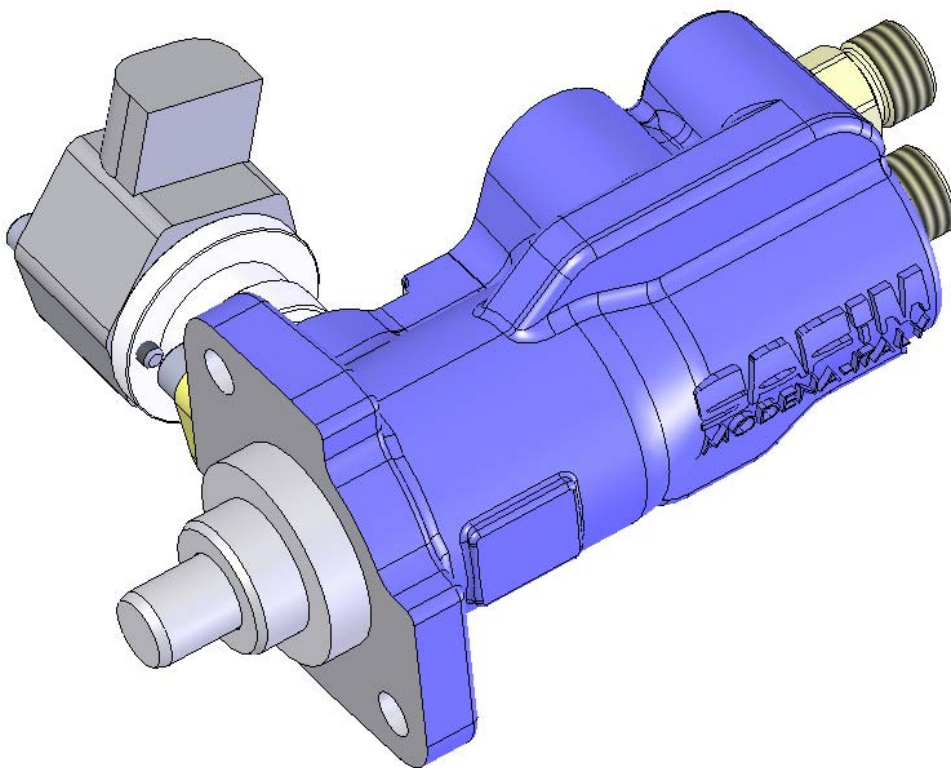
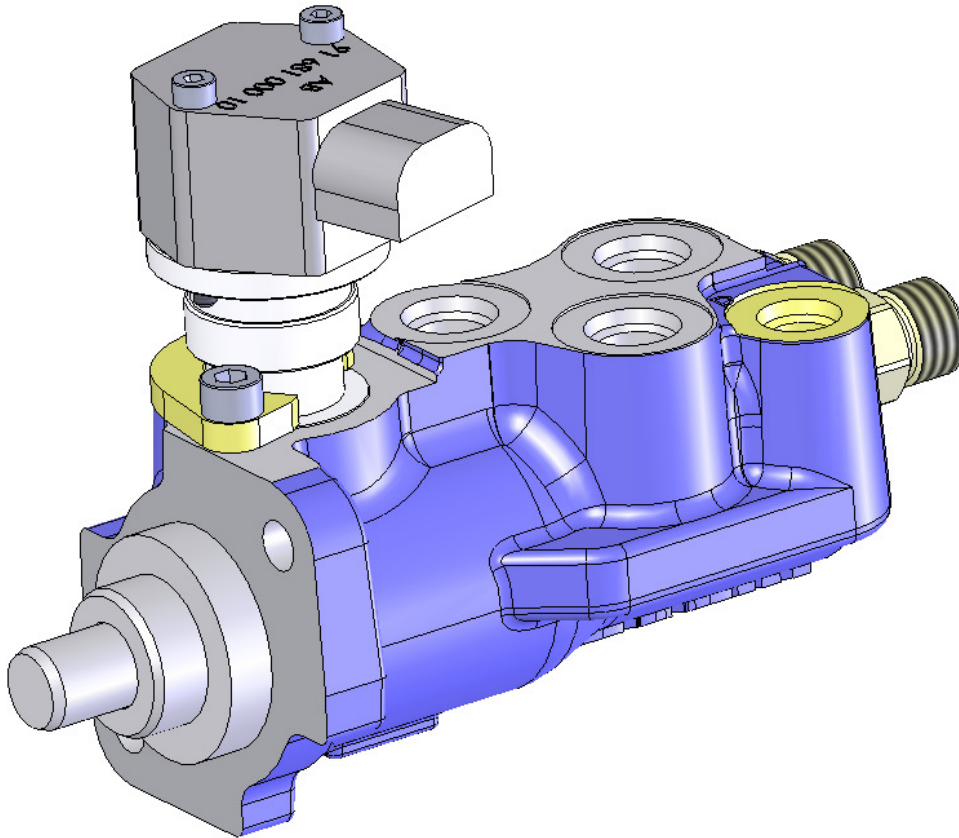


# S6 BRAKE VALVE "E" TYPE



**SAPIM** S.p.A.  
SVILUPPO APPLICAZIONI FRENI INDUSTRIALI

500A-0009A-EN

**S6 BRAKE VALVE "E" TYPE****DESCRIPTION**

The main advantage of this solution with respect to the standard brake master cylinder is a power braking increase as well as a pedal force reduction and an unlimited oil quantity that can be used for the braking; all these features make this valve particularly suitable to be used on big size vehicles.

The manufacturing solutions adopted allowed us to make this valve little sensitive to pressure pulses on the tank in order to enable a smooth and progressive braking.

This valve is being supplied to customers already set according to the technical data given when placing the order.

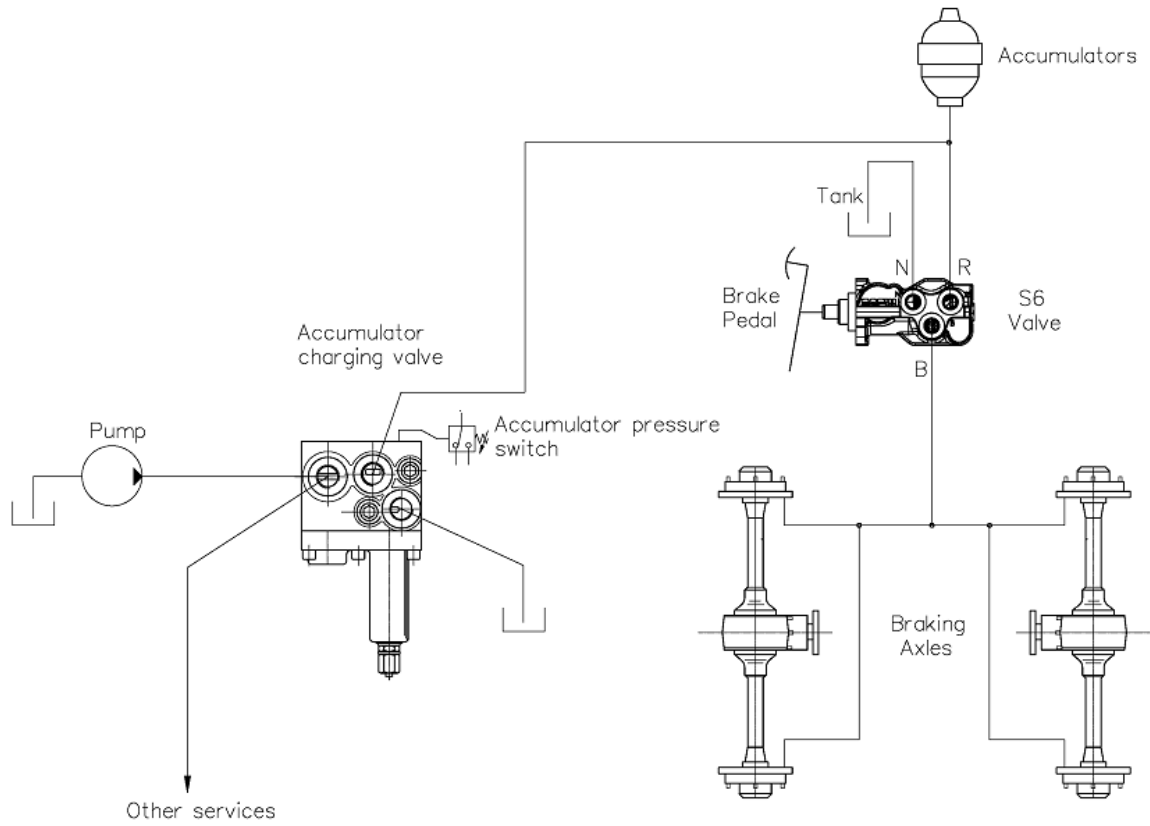
The installation is very easy, the maintenance needed very little and our customer support service is always there to assist you.

The flange matching with the master cylinders one and the connections that are on the same side make it immediately adaptable on whatever type of cab and vehicle.

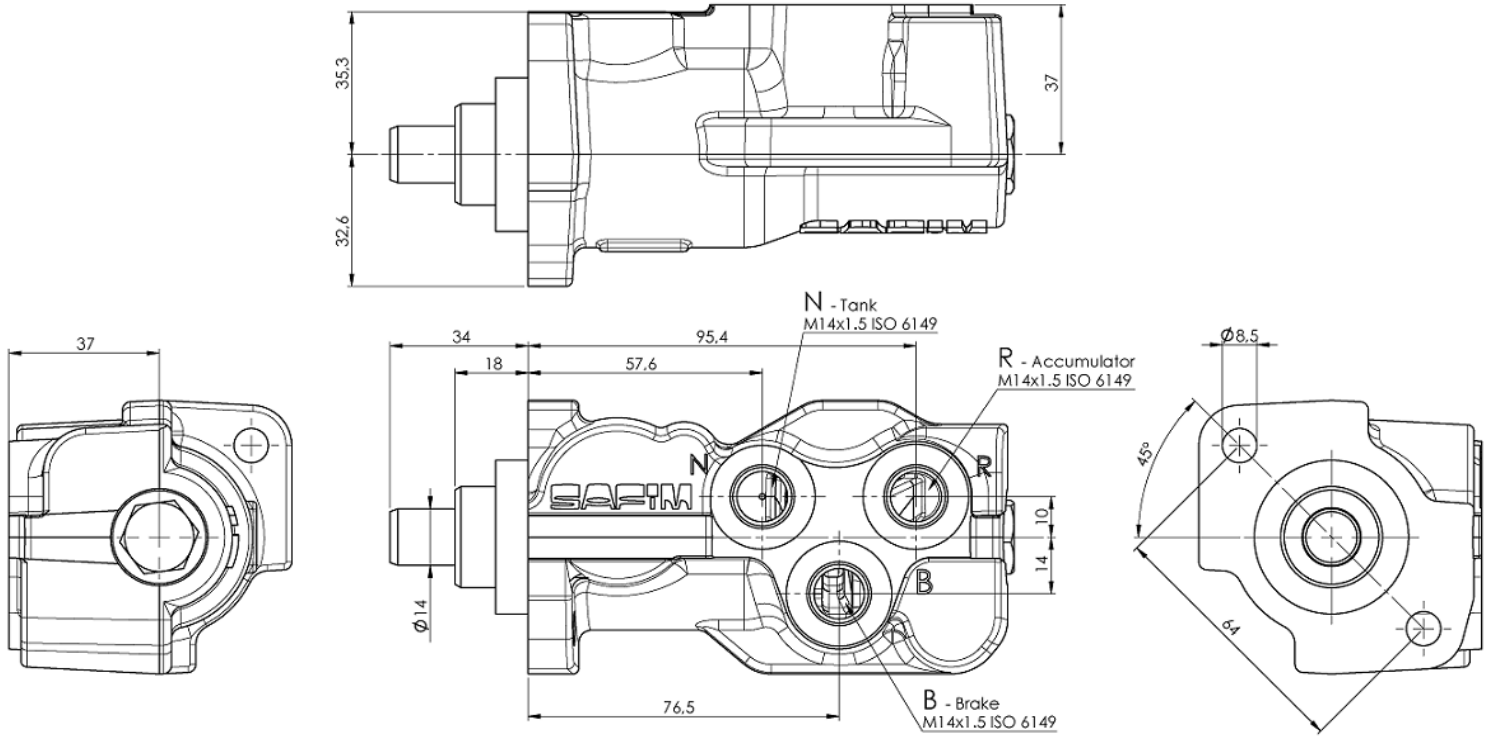
A potentiometer can be also fitted and it's being phased with the braking pressure during the setting.

The potentiometer is usually adopted to check the transmission when braking.

**BASIC APPLICATION**

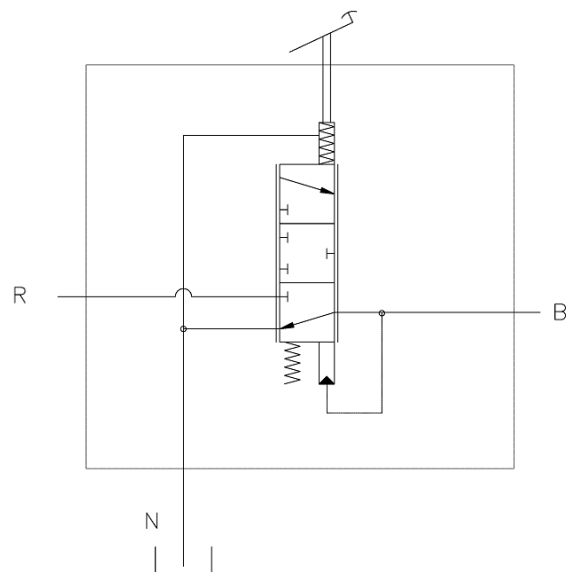


**S6 BRAKE VALVE "E" TYPE- BASIC VERSION**

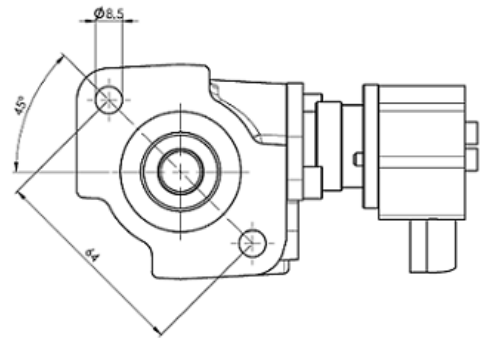
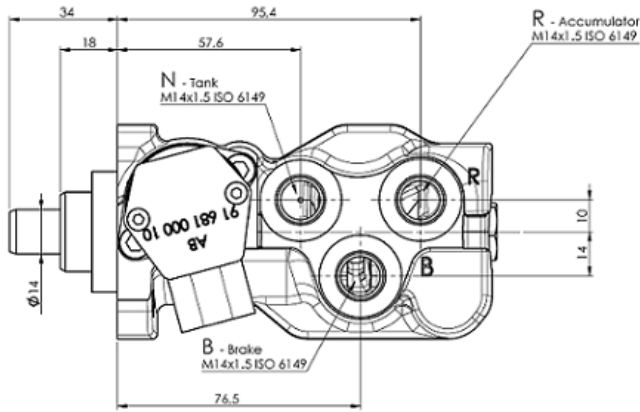
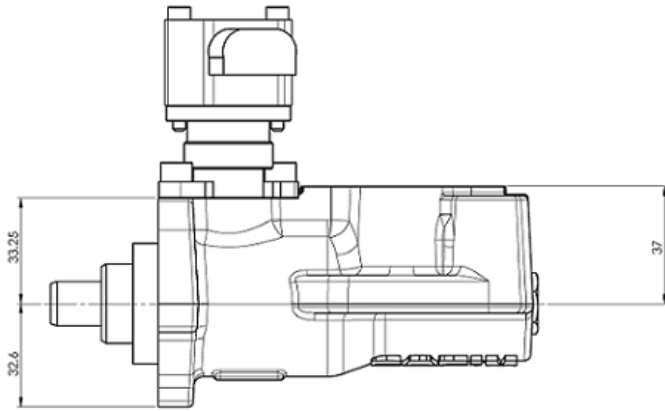


CONNECTIONS		
<b>R</b>	Accumulators	M14x1,5 ISO 6149
<b>B</b>	Braking axles	M14x1,5 ISO 6149
<b>N</b>	Tank	M14x1,5 ISO 6149

**HYDRAULIC SCHEMATIC**

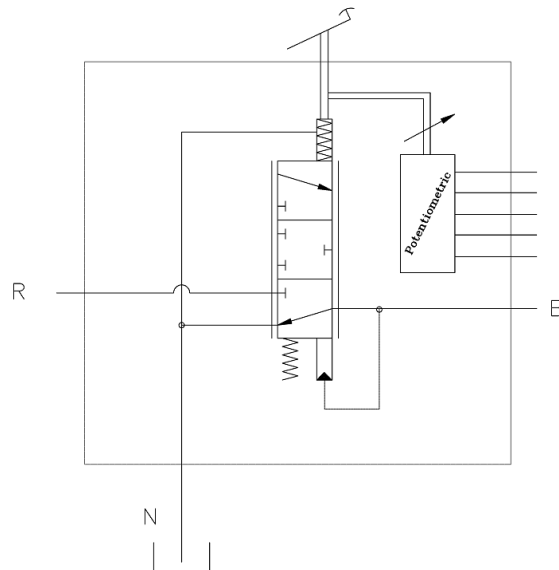


**S6 BRAKE VALVE "E" TYPE WITH INCHING  
POTENTIOMETER**



CONNECTIONS		
<b>R</b>	Accumulators	M14x1,5 ISO 6149
<b>B</b>	Braking axles	M14x1,5 ISO 6149
<b>N</b>	Tank	M14x1,5 ISO 6149

**HYDRAULIC  
SCHEMATIC**



## MAIN FEATURES AND TECHNICAL DATA

This valve works with mineral oil and is compatible with almost all hydraulic systems.

The valve inner diameter defines the braking pressure course depending on the push-rod stroke. The manifold available diameters enable to meet a big number of requests.

